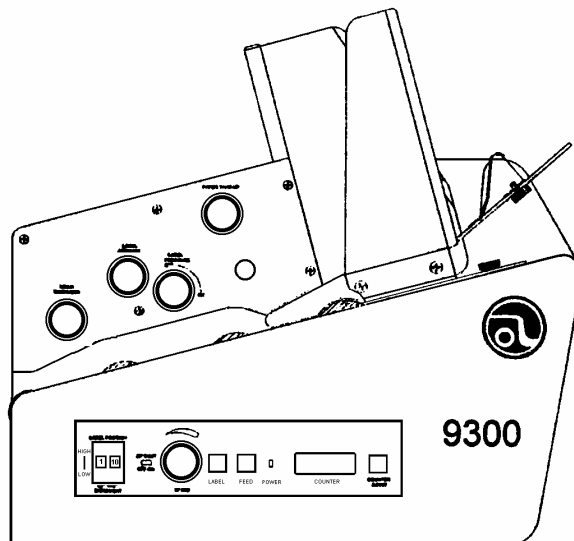
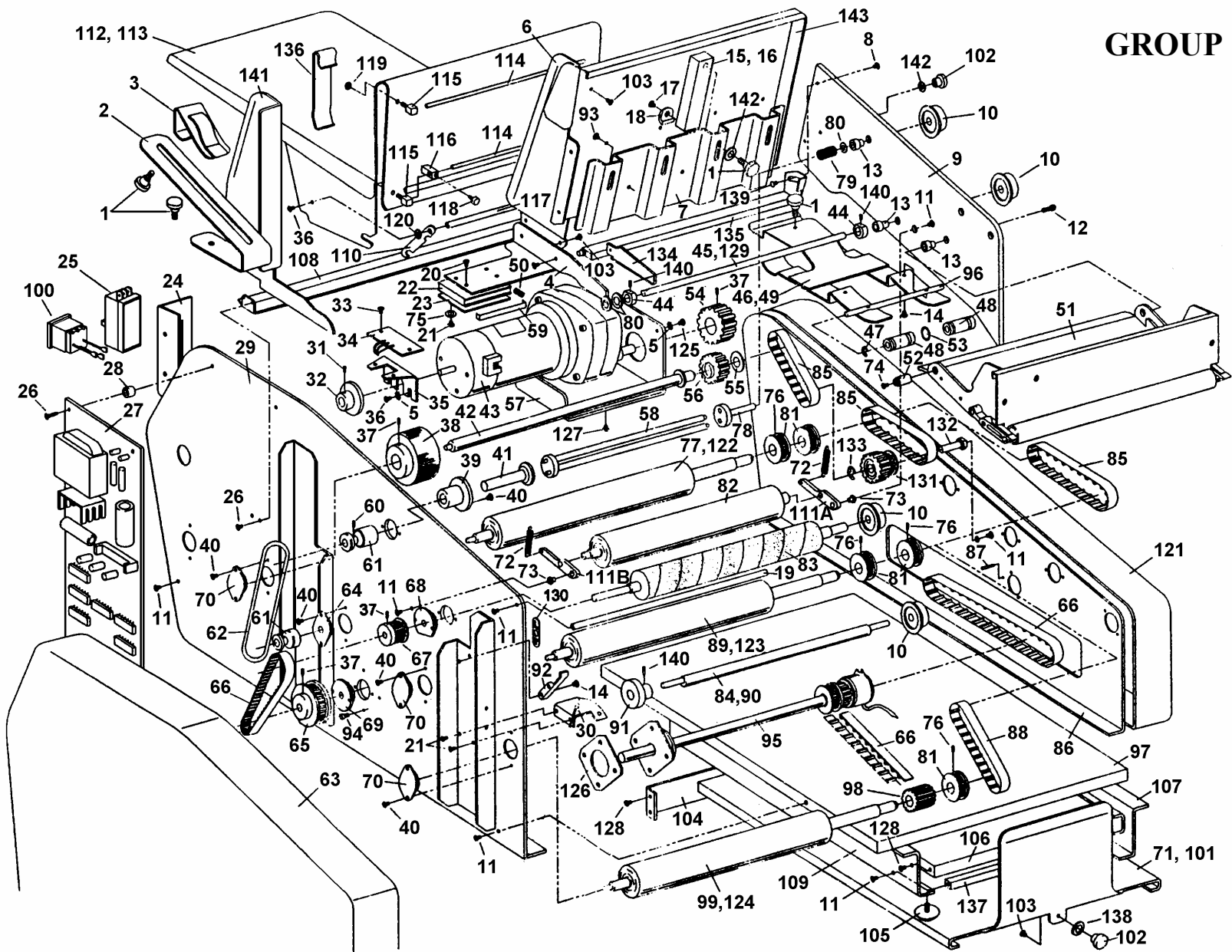




ALS-9300 LABELER



PARTS CATALOG



GROUP 1

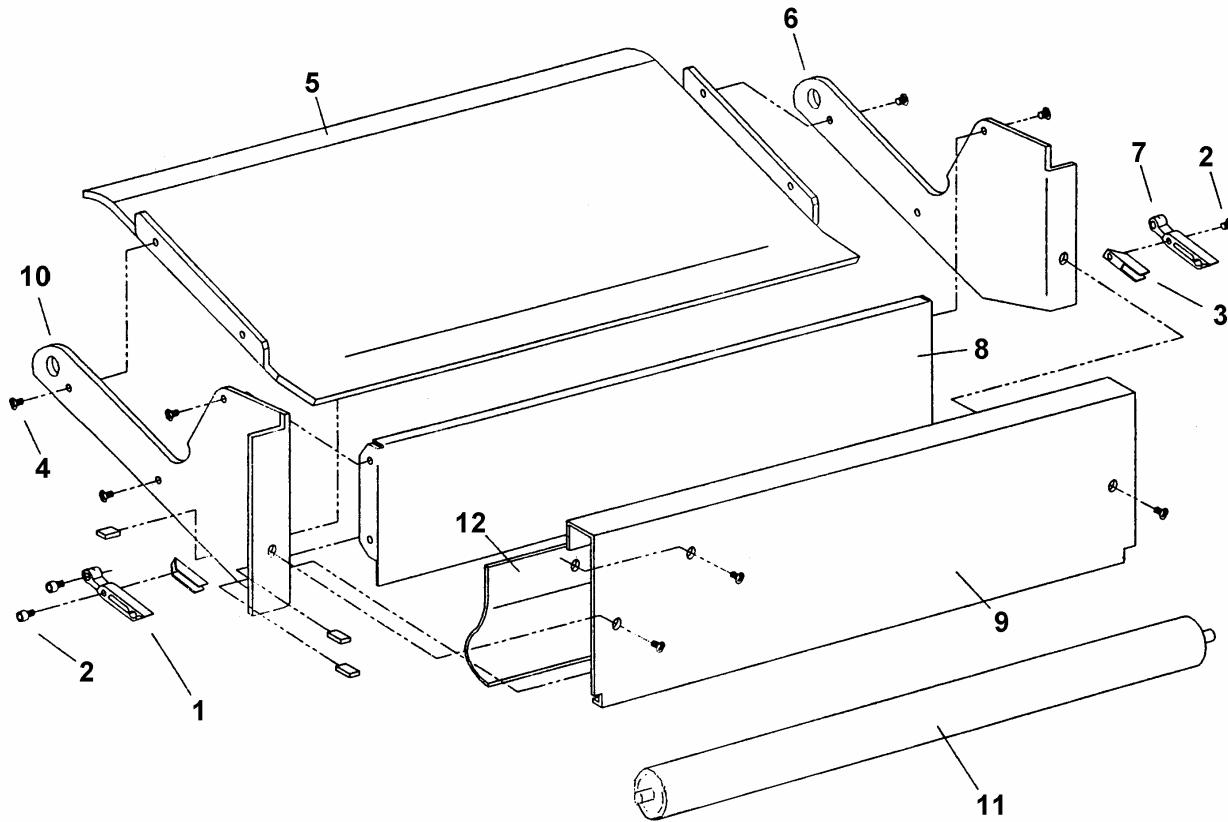
KEY #	PART #	DESCRIPTION	KEY #	PART #	DESCRIPTION
1.	84-114-34	THUMBSCREW	37.	123-0298	SET SCREW, 10-24 X 3/16
2.	90-102-10	ENVELOPE STACK REST	38.	90-102-21	FEED ROLLER ASSEMBLY
3.	90-102-13	REAR ENVELOPE SUPPORT	39.	90-103-53	BEARING HOUSING, ASSY. TAKE-UP SPOOL
4.	90-102-06	SIDE GUIDE BRACKET	40.	123-0275	SCREW, 6-32 X 1/4
5.	123-0237	WASHER, STAR #10	41.	90-103-48	SHAFT, MANUAL RELEASE, L/N
6.	90-102-05	FRONT ENVELOPE GUIDE, R/H	42.	90-102-39	SHAFT, FEED ROLLER
7.	90-103-05	FRONT METERING PLATE	43.	123-0560	MOTOR
8.	123-0563	SCREW, 10-32 X 1/4	44.	90-103-40	RELEASE - ECCENTRIC SHAFT
9.	90-100-11	APPLICATOR HEAD SIDE FRAME	45.	90-103-39	RELEASE - ECCENTRIC SHAFT
10.	123-0390	KNOB	46.	90-103-10	TRACK SPRING ASSY.
11.	123-0024	SCREW, 10-32 X 3/8	47.	123-0080	C-CLIP 3/16"
12.	90-103-24	APPLICATOR HEAD STUD, R/H	48.	90-103-66	ROLLER, TRACK SPRING
13.	123-0564	BUSHING	49.	90-103-11	TRACK ASSEMBLY WELDMENT
14.	123-0461	SCREW, 6-32 X 3/16	50.	84-120-26A	SPRING
15.	90-103-06	TOP METERING BRACKET ASSEMBLY	51.		SEE GROUP 2 – APPLICATOR ASSEMBLY
16.	90-103-07	TOP METERING BRACKET	52.	91-303-25	APPLICATOR HEAD PIVOT, L/H
17.	123-0683	SCREW, 6-32 X 5/16	53.	123-0717	O-RING
18.	90-103-09	SEPARATOR TIP	54.	90-101-04	MOTOR PULLEY
19.	90-103-17	APPLICATOR HEAD SUPPORT	55.	123-0567	WASHER, 5/16"
20.	123-0751	SCREW, 6-32 X 3/8	56.	90-102-19	PULLEY, FEED ROLLER SHAFT
21.	123-0274	SCREW, 6-32 X 3/8	57.	90-101-07	BRACKET, MOTOR MOUNTING
22.	90-102-07	SIDE GUIDE BLOCK	58.	90-103-54	PAPER TAKE-UP SHAFT WELDMENT
23.	90-102-08	SIDE GUIDE PLATE	59.	90-102-15	SIDE GUIDE BLOCK SPRING
24.	90-105-01	POWER SWITCH BRACKET	60.	123-0322	SET SCREW, 8-32 X 1/4
25.	123-0565	CONNECTOR, POWER CORD	61.	90-103-45	PULLEY, PAPER TAKE-UP
26.	123-0612	SCREW, 6-32 X 1/4	62.	*123-0574	O-RING
27.	90-100-00L	PC BOARD ASSEMBLY, PULSE GENERATOR	63.	90-100-16	SIDE FRAME COVER, L/H
28.	90-104-32	STAND OFF	64.	90-102-28	BEARING HOUSING ASSY., REAR ROLL.
29.	90-100-04	SIDE FRAME, LEFT	65.	90-101-17	DRIVE PULLEY ASSY.
30.	90-100-200L	SENSOR BRACKET ASSEMBLY	66.	*123-0573	BELT, 130 XLO437
31.	123-0001	SET SCREW, 10-32 X 5/16	67.	90-103-29	PULLEY, ALUMINUM 14 XL
32.	90-101-09	MAGNET, PULSE GENERATOR	68.	90-103-26	BEARING HOUSING ASSY. PULL ROLL.
33.	123-0021	SCREW, 4-40 X 1/8	69.	90-101-12	BEARING HOUSING ASSY, CLUTCH
34.	90-140-11	PC BOARD ASSEMBLY, PULSE GENERATOR	70.	90-103-52	BEARING HOUSING ASSY., FRT. RUBBER ROLL.
35.	90-101-06	SENSOR MOUNTING BRACKET	71.	90-100-27	RECEIVING TRAY
36.	123-0442	SCREW, 6-32 X 3/8	72.	90-103-70	SPRING

GROUP 1

KEY #	PART #	DESCRIPTION	KEY #	PART #	DESCRIPTION
73.	90-103-36	PIVOT, TAKE-UP PRESS ON ROLL.	109.	90-100-40	SUPPORT BRACKET, L/H
74.	123-0494	SCREW, 10-32 X3/8	110.	90-104-25	LABEL TRAY LATCH
75.	123-0068	WASHER, PLAIN #10	111A.	90-103-35	ARM, TAKE-UP PRESS-ON ROLL, R/H
76.	123-0036	ROLL PIN, 3/32 X 5/8	111B.	90-103-34	ARM, TAKE-UP PRESS-ON ROLL., L/H
77.	*90-102-27	ROLLER ASSY., UPPER FORWARDING	112.	90-104-31	LABEL TRAY ASSEMBLY
78.	90-103-47	SHAFT, MANUAL RELEASE, R/H	113.	90-104-31	LABEL TRAY ASSEMBLY
79.	*90-103-55	SPRING, COMPRESSION	114.	90-104-05	GUIDE ROD
80.	123-0523	PLASTIC WASHER, 1/4 ID	115.	90-104-06	STUD, GUIDE ROD
81.	71-122-06	PULLEY, 12XL .375 ID	116.	90-104-07	LABEL GUIDE
82.	*91-603-32	ROLLER, TAKE-UP PRESS ON	117.	90-104-08	SUPPORT ROD
83.	*91-603-27	ROLLER, LABEL PULL	118.	90-104-09	THUMBSCREW, LABEL GUIDE
84.	91-603-18	APPLICATOR HEAD ECCENTRIC ASSY.	119.	123-0192	NUT, 6-32
85.	*123-0576	BELT, 80XLO31	120.	123-0621	O-RING
86.	90-100-07	SIDE FRAME, R/H	121.	90-100-17	SIDE FRAME COVER, R/H
87.	123-0036	ROLL PIN, 3/32 X 5/8	122.	*90-102-27	ROLLER ASSY., UPPER FORWARDING
88.	*123-0138	BELT, 90XL	123.	*90-102-22	ROLLER ASSY., INTERMEDIATE
89.	*90-102-22	ROLLER ASSY., INTERMEDIATE	124.	*90-102-200	ROLLER ASSY., FRONT
90.	91-603-19	APPLICATOR HEAD HEIGHT - ECCENTRIC	125.	123-0185	SCREW, 10-32 X 3/8
91.	91-603-20	APPLICATOR HEAD HEIGHT POSITIONER	126.	90-101-20	SPACER
92.	90-103-21	SPRING, APPLICATOR HEAD	127.	123-0486	SCREW, 10-32 X 7/16
93.	123-0126	SCREW 8-32 X 1/4	128.	123-0017	SCREW, 10-32 X 1/4
94.	123-0163	SCREW, SOCKET CAP 1/4-28 X 1/2	129.	90-103-38	RELEASE, ECCENTRIC SHAFT ASSY.
95.		SEE GROUP 3 – BRAKE AND CLUTCH ASSY	130.	90-105-09	DECAL, SWITCH POSITION INDICATOR
96.	90-103-15	TRACK ROLLER SHAFT	131.	90-107-05	IDLER PULLEY ASSEMBLY
97.	90-100-09	MOTOR BASE	132.	90-107-06	STUD, IDLER PULLEY
98.	90-102-23	PULLE6- 12 GROOVE	133.	123-0081	C-CLIP , 1/4"
99.	*90-102-200	ROLLER ASSY., FRONT	134.	90-107-03	BRACKET, MEDIA GUIDE
100.	90-104-75	AUXILIARY RECEPTACLE HARNESS ASSY.	135.	90-103-30	BAR, TRACK SPRING
101.	90-100-29	RECEIVING TRAY ASSY.	136.	90-107-02	SPRING, TAB PRESSURE
102.	123-0460	KNOB	137.	90-100-37	CROSS BRACKET
103.	123-0017	SCREW, 10-32 X 1/4	138.	90-100-28	SPACER, RECEIVING TRAY KNOB
104.	90-100-35	U-CHANNEL, BLACK	139.	123-0026	CARRIAGE BOLT, 10-24 X 3/4
105.	123-0620	RUBBER FOOT	140.	123-00757	SPRING PIN, 3/32 X 1/2
106.	90-100-39	U-CHANNEL, FRONT	141.	90-103-02B	SIDE GUIDE, R/H
107.	90-100-41	SUPPORT BRACKET, R/H	142.	123-0148	WASHER 1/32"
108.	90-102-37	U-CHANNEL	143.	90-113-50	METERING PLATE

GROUP 1

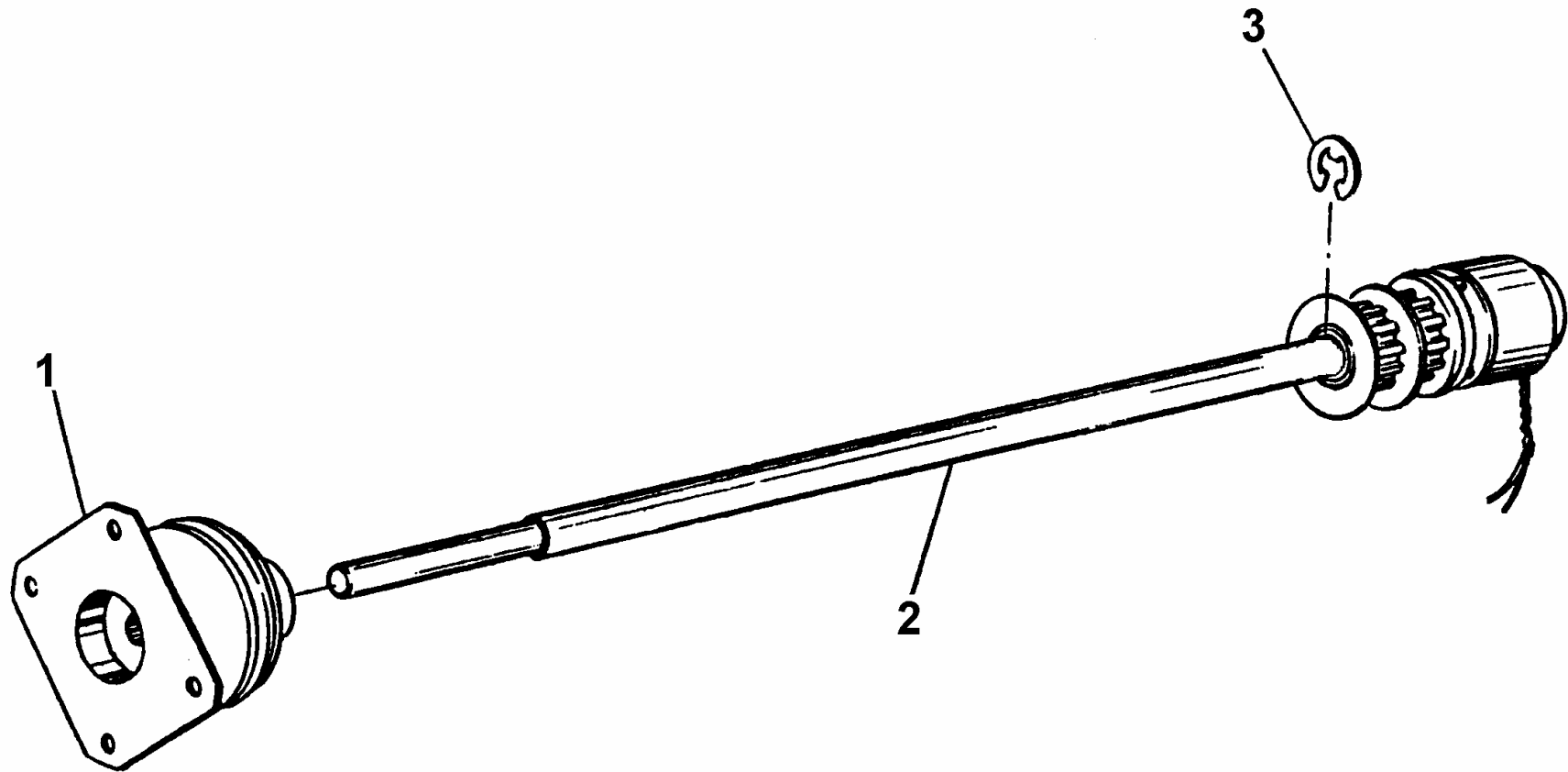
GROUP 2



KEY #	PART #	DESCRIPTION
1.	*91-604-21	APPLICATOR ROLLER HOLDER, R/H
2.	123-0674	SCREW, 6-32 X 1/4 - SOCKET CAP HEAD
3.	*90-104-51	APPLICATOR ROLLER SPRING
4.	123-0612	SCREW
5.	91-303-18	SENSOR BRACKET ASSY. W/ MEDIA SENSOR
6.	91-304-11	SIDE FRAME, APPLICATOR HEAD - R/H

* High usage part, suggested inventory item.

KEY #	PART #	DESCRIPTION
7.	*90-104-20	APPLICATOR ROLLER HOLDER, L/H
8.	91-304-10	LABEL SEPARATOR ASSY. W/ LABEL SENSOR
9.	91-304-30	FRONT SHIELD ASSY. W/ LABEL LED
10.	91-304-121	SIDE FRAME, APPLICATOR HEAD - L/H
11.	*91-304-18	APPLICATOR ROLLER
12.	91-304-14	SENSOR COVER

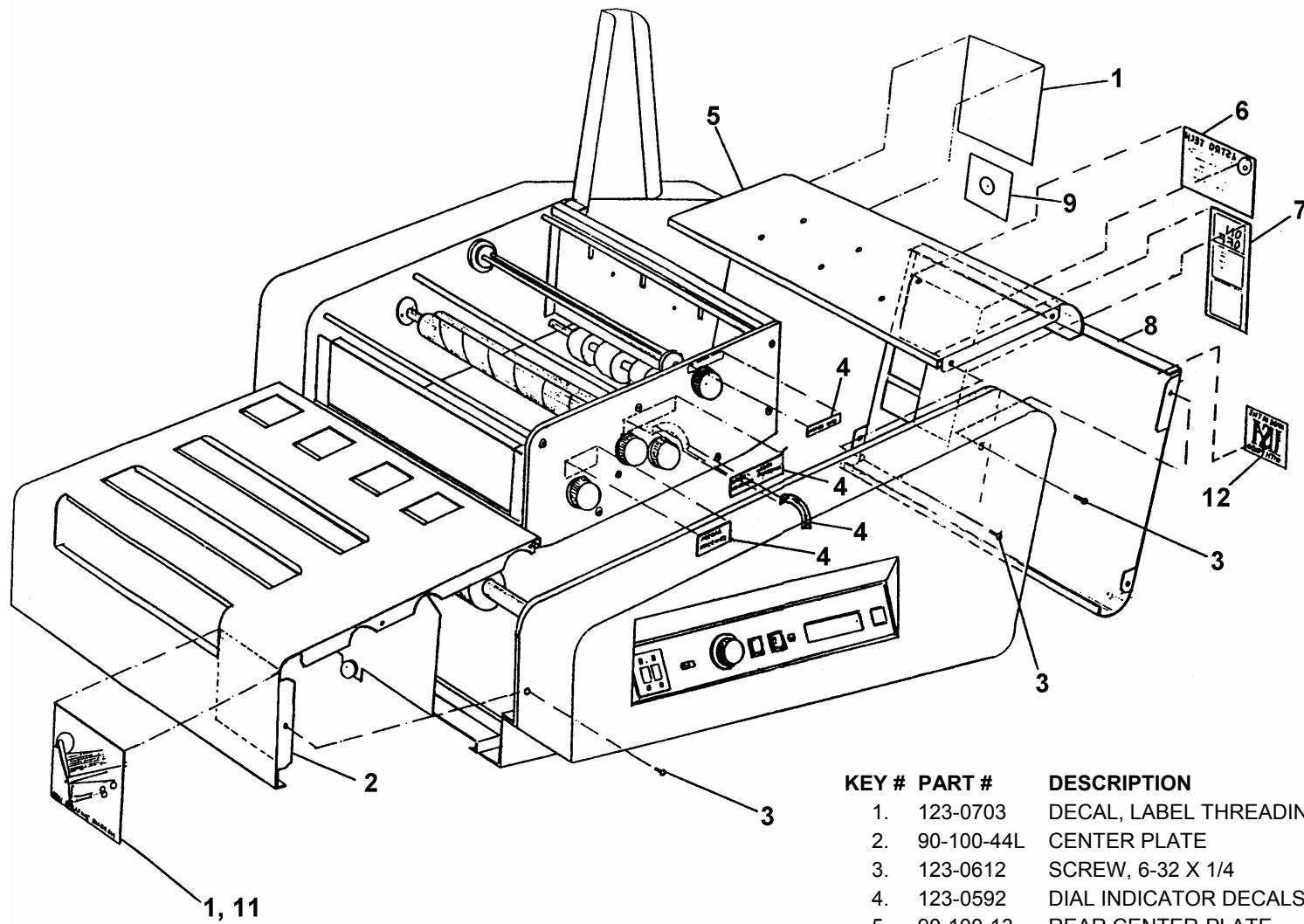


KEY #	PART #	DESCRIPTION
1.	90-800-13	BRAKE ASSEMBLY
2.	90-101-10	CLUTCH SHAFT ASSEMBLY
3.	123-0006**	C-CLIP – INCLUDED WITH CLUTCH SHAFT ASSY

GROUP 3

KEY #	PART #	DESCRIPTION
1.	90-100-00L	MAIN CONTROL BOARD
2.	90-104-90	WIRE HARNESS, FLAT CABLE
3.	90-104-80	WIRE HARNESS, MOTOR CONTROL
4.	90-104-94	WIRE HARNESS, MAIN CONTROL
5.	90-100-200L	SENSOR BRACKET ASSEMBLY
6.	90-140-11	PC BOARD ASSY., PULSE GENERATOR
7.	90-104-75	AUXILIARY RECEPTACLE HARNESS
8.	123-0623	FUSE, 1.6 A 250 V
9.	123-0565	POWER CONNECTOR W/FUSE AND SWITCH
10.	90-104-83	WIRE HARNESS, MOTOR CONTROL
11.	123-0606	DOUBLE DISCONNECT
12.	90-100-30	PC BOARD , MOTOR CONTROL
13.	90-100-100A	PC BOARD, CONTROL PANEL
14.	90-104-70	WIRE HARNESS, POTENTIOMETER
15.	90-104-34	LABEL POSITION SWITCH ASSY.
16.	90-104-33	GROUNDING WIRE
17.	123-0390	KNOB
18.	123-0786	DECAL, CONTROL PANEL
19.	123-0684	SCREW, #6 X 1/4 SELF TAPPING
20.	123-0609	CABLE HOLDER, 1/4"
21.	123-0707	RUBBER GROMMET
22.	123-0607	FLAT CABLE CLAMP
23.	123-0635	POWER CORD
24.	90-104-40	BEEPER ASSEMBLY
25.	90-104-50	SWITCH ASSY., SENSOR ADJUSTMENT
26.	90-104-60	LED ASSEMBLY, SENSOR ADJUSTMENT
27.	123-0685	LED HOLDER
28.	123-0274	SCREW, 6-32 X 3/8 PHILIPS TRUSS HEAD
29.	90-100-80L	BOARD-SENSOR SWITCH TABBER
30.	123-0684	SNAP-IN BUSHING
31.	123-0017	SCREW, 10-32 X 1/4
32.	123-0237	WASHER STAR # 10
33.	90-104-93	WIRE HARNESS, MOTOR CONTROL
34.	90-104-84	WIRE HARNESS, MAIN CONTROL

GROUP 4



GROUP 5

KEY #	PART #	DESCRIPTION
1.	123-0703	DECAL, LABEL THREADING DIAGRAM
2.	90-100-44L	CENTER PLATE
3.	123-0612	SCREW, 6-32 X 1/4
4.	123-0592	DIAL INDICATOR DECALS (SET)
5.	90-100-13	REAR CENTER-PLATE
6.	123-0562	SERIAL NUMBER DECAL
7.	123-0579	CAUTION LABEL
8.	90-100-12	BACK COVER
9.	90-105-11	DECAL, SWITCH POSITION INDICATOR
10.	90-105-10	DECAL, SENSOR ADJUSTMENT INSTRUCTIONS
11.	123-0136	DECAL, MADE IN THE USA

NORMAL WEAR PARTS

KEY #	PART #	DESCRIPTION
1.	123-0574	BELT, TAKE-UP SPOOL
2.	123-0573	BELT, 130XLO437
3.	123-0138	BELT, 90XL
4.	123-0576	BELT, 80XLO31
5.	90-102-22	ROLLER ASSY., INTERMEDIATE RUBBER
6.	90-102-21	FEED ROLLER ASSY.
7.	91-603-32	PRESSURE ROLLER
8.	91-603-27	ROLLER, LABEL PULL
9.	91-602-24	EXIT ROLLER
10.	90-103-09	SEPARATOR TIP
11.	90-104-51	SPRING, ROLLER HOLDER
12.	91-604-21	APPLICATOR ROLLER HOLDER, R/H
13.	90-104-20	APPLICATOR ROLLER HOLDER, L/H
14.	90-102-200	ROLLER ASSEMBLY, FRONT
15.	90-102-27	ROLLER, UPPER FORWARDING
16.	123-0717	O-RING

INDEX

PART #	KEY	GROUP	PART #	KEY	GROUP	PART #	KEY	GROUP
123-0001	31	1	123-0620	105	1	90-102-07	22	1
123-0006	3	3	123-0621	120	1	90-102-08	23	1
123-0017	128	1	123-0623	8	4	90-102-10	2	1
123-0017	31	4	123-0635	23	4	90-102-13	3	1
123-0017	103	1	123-0674	2	2	90-102-15	59	1
123-0021	33	1	123-0683	17	1	90-102-19	56	1
123-0024	11	1	123-0684	19	4	90-102-200	124	1
123-0026	139	1	123-0684	30	4	90-102-21	38	1
123-0036	76	1	123-0685	27	4	90-102-22	123	1
123-0036	87	1	123-0695	140	1	90-102-23	98	1
123-0068	75	1	123-0703	1	5	90-102-27	122	1
123-0080	47	1	123-0707	21	4	90-102-28	64	1
123-0081	133	1	123-0717	53	1	90-102-37	108	1
123-0126	93	1	123-0751	20	1	90-102-39	42	1
123-0136	11	5	123-0757	140	1	90-103-02B	141	1
123-0138	88	1	123-0786	18	4	90-103-05	7	1
123-0148	142	1	71-122-06	81	1	90-103-06	15	1
123-0163	94	1	84-114-34	1	1	90-103-07	16	1
123-0185	125	1	84-120-26A	50	1	90-103-09	18	1
123-0192	119	1	90-100-00L	27	1	90-103-10	46	1
123-0237	5	1	90-100-00L	1	4	90-103-11	49	1
123-0237	32	4	90-100-04	29	1	90-103-15	96	1
123-0274	21	1	90-100-07	86	1	90-103-17	19	1
123-0274	28	4	90-100-09	97	1	90-103-21	92	1
123-0275	40	1	90-100-100A	13	4	90-103-24	12	1
123-0298	37	1	90-100-11	9	1	90-103-26	68	1
123-0322	60	1	90-100-12	8	5	90-103-29	67	1
123-0390	10	1	90-100-13	5	5	90-103-30	135	1
123-0390	17	4	90-100-16	63	1	90-103-34	111B	1
123-0442	36	1	90-100-17	121	1	90-103-35	111A	1
123-0460	102	1	90-100-200L	30	1	90-103-36	73	1
123-0461	14	1	90-100-200L	5	4	90-103-38	129	1
123-0486	127	1	90-100-27	71	1	90-103-39	45	1
123-0494	74	1	90-100-28	138	1	90-103-40	44	1
123-0523	80	1	90-100-29	101	1	90-103-45	61	1
123-0560	43	1	90-100-30	12	4	90-103-47	78	1
123-0562	6	5	90-100-35	104	1	90-103-48	41	1
123-0563	8	1	90-100-37	137	1	90-103-52	70	1
123-0564	13	1	90-100-39	106	1	90-103-53	39	1
123-0565	25	1	90-100-40	109	1	90-103-54	58	1
123-0565	9	4	90-100-41	107	1	90-103-55	79	1
123-0567	55	1	90-100-44L	2	5	90-103-66	48	1
123-0573	66	1	90-100-80L	29	4	90-103-70	72	1
123-0574	62	1	90-101-04	54	1	90-104-05	114	1
123-0576	85	1	90-101-06	35	1	90-104-06	115	1
123-0579	7	5	90-101-07	57	1	90-104-07	116	1
123-0592	4	5	90-101-09	32	1	90-104-08	117	1
123-0606	11	4	90-101-10	2	3	90-104-09	118	1
123-0607	22	4	90-101-12	69	1	90-104-20	7	2
123-0609	20	4	90-101-17	65	1	90-104-25	110	1
123-0612	26	1	90-101-20	126	1	90-104-31	113	1
123-0612	4	2	90-102-05	6	1	90-104-32	28	1
123-0612	3	5	90-102-06	4	1	90-104-33	16	4

PART #	KEY	GROUP	PART #	KEY	GROUP	PART #	KEY	GROUP
90-104-34	15	4	90-105-01	24	1	91-304-10	8	2
90-104-40	24	4	90-105-09	130	1	91-304-11	6	2
90-104-50	25	4	90-105-10	10	5	91-304-12	10	2
90-104-51	3	2	90-105-11	9	5	91-304-14	12	2
90-104-60	26	4	90-107-02	136	1	91-304-18	11	2
90-104-70	14	4	90-107-03	134	1	91-304-30	9	2
90-104-75	100	1	90-107-05	131	1	91-603-18	84	1
90-104-75	7	4	90-107-06	132	1	91-603-19	90	1
90-104-80	3	4	90-113-50	143	1	91-603-20	91	1
90-104-83	10	4	90-140-11	34	1	91-603-27	83	1
90-104-84	34	4	90-140-11	6	4	91-603-32	82	1
90-104-90	2	4	90-800-13	1	3	91-604-21	1	2
90-104-93	33	4	91-303-18	5	2			
90-104-94	4	4	91-303-25	52	1			



ASTRO
MACHINE CORP.

Copyright © 2007 Astro Machine Corporation
Elk Grove Village, Illinois 60007
12/28/2007

P/N: 100-ALS9300 Rev. B